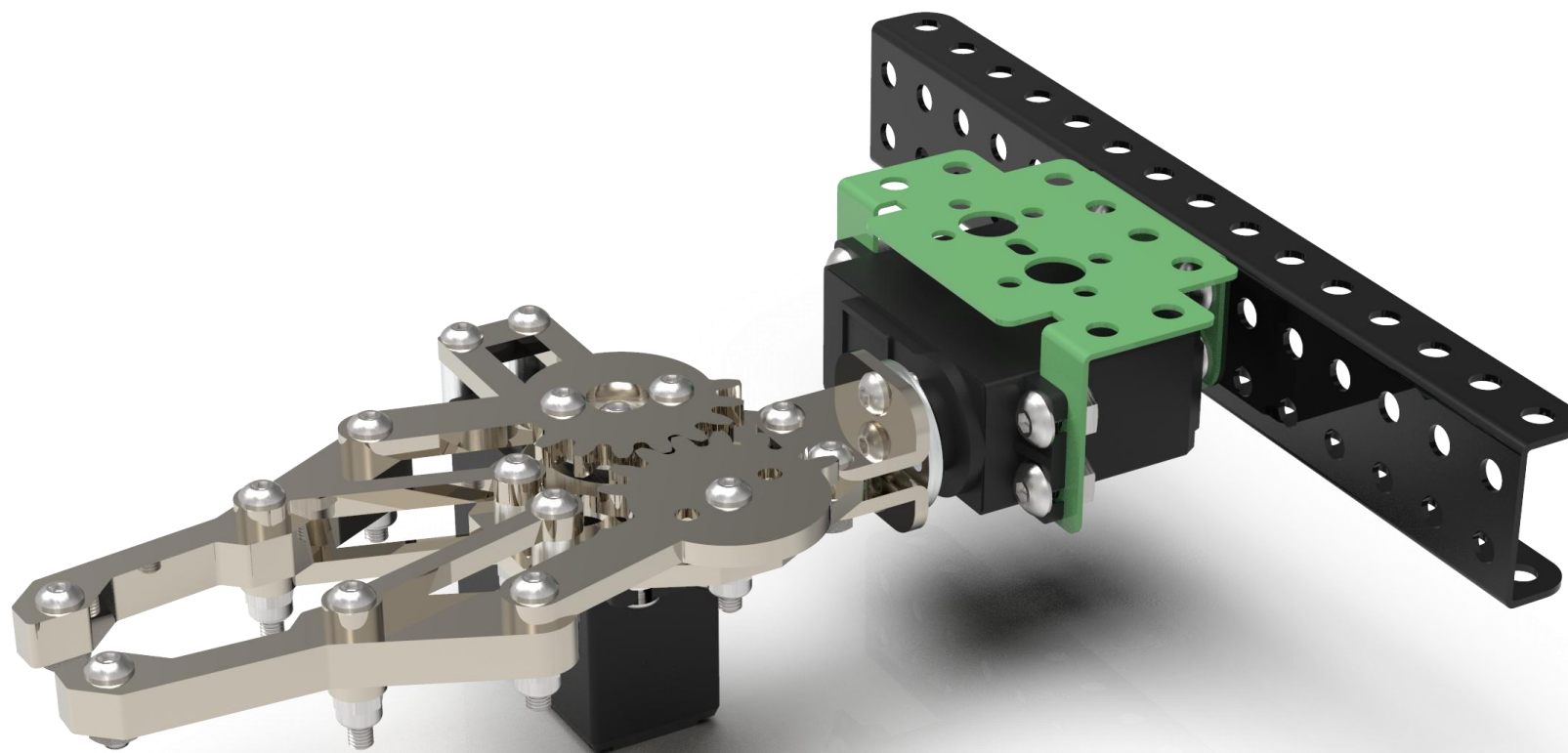


НАУЧИМ ИЗОБРЕТАТЬ
БУДУЩЕЕ

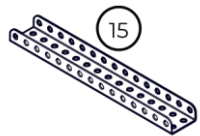
TRIK



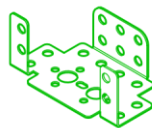
Манипулятор с хватом

Инструкция по сборке

01



1x



1x

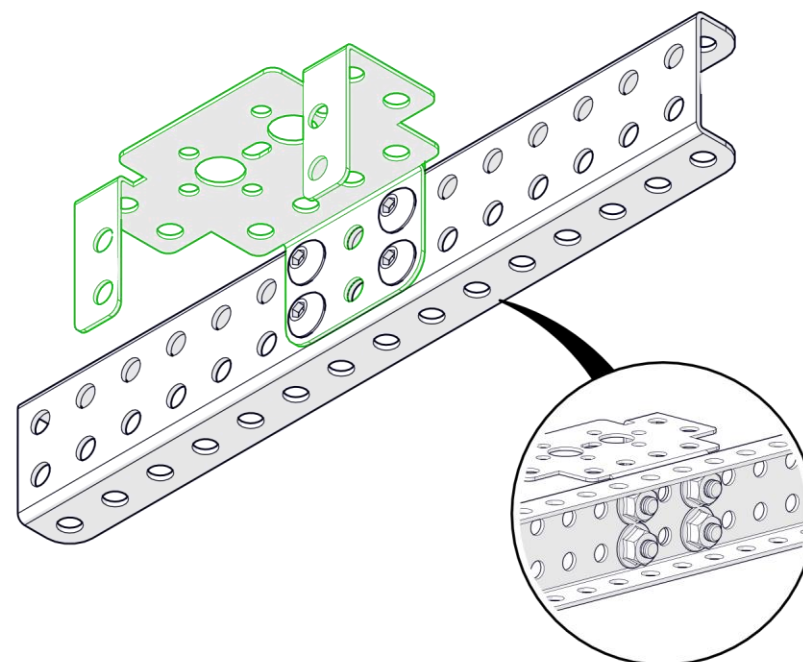
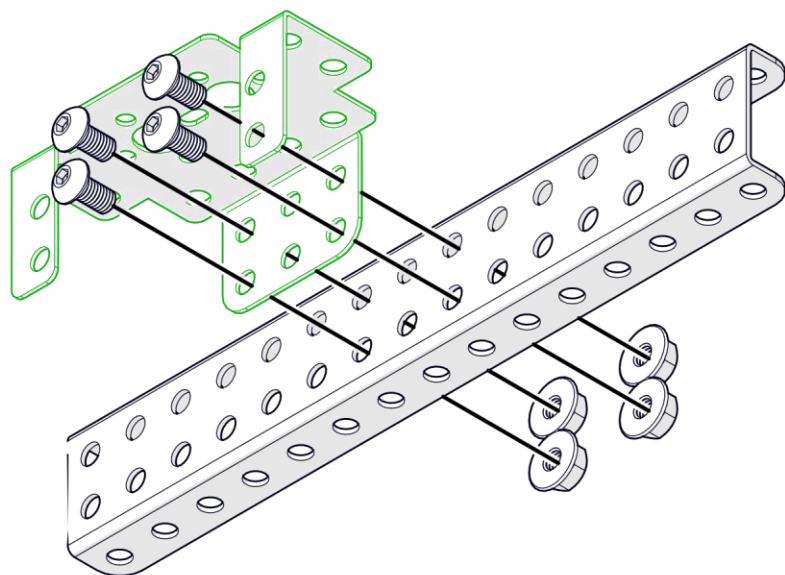
M4x8



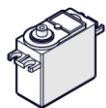
4x



4x



02



1x

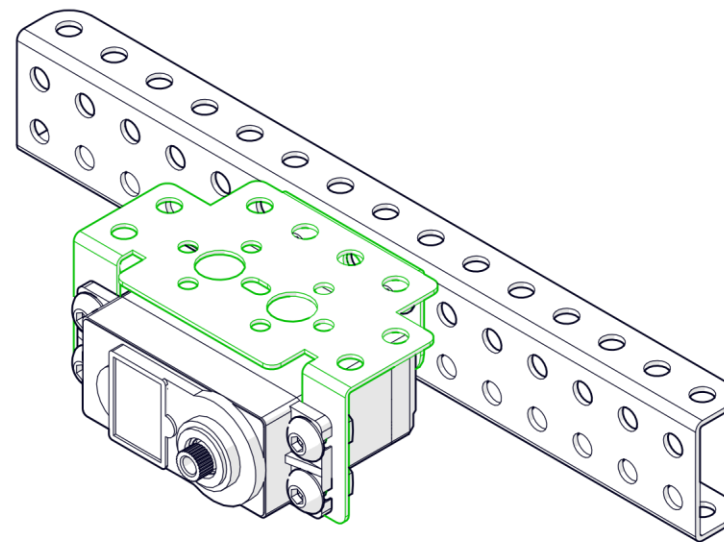
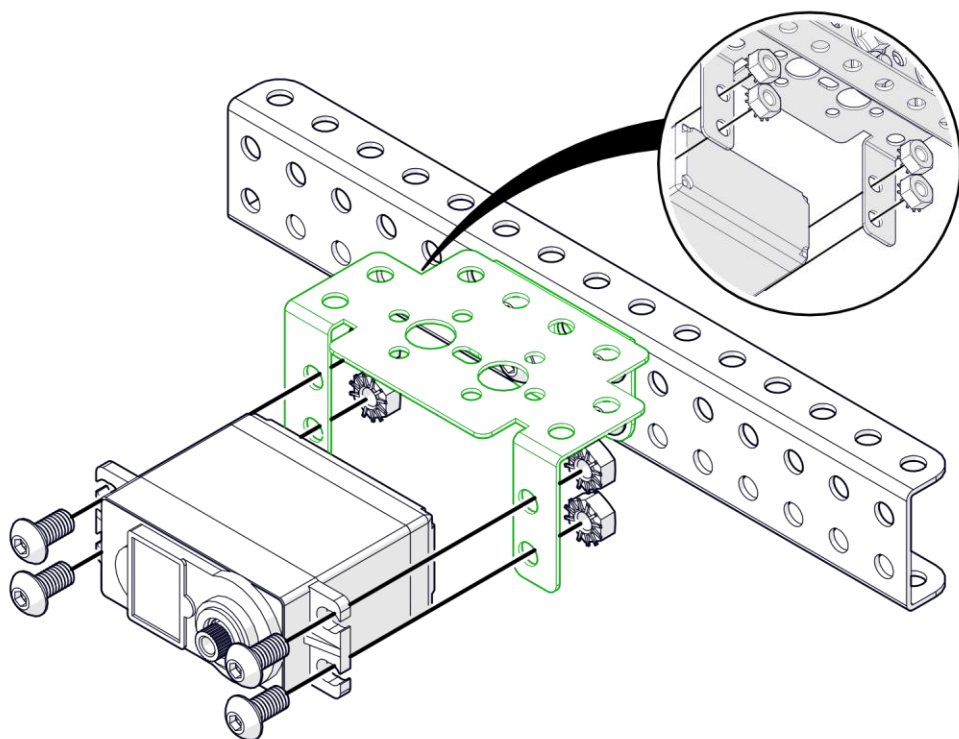
M4x8



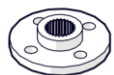
4x



4x



03

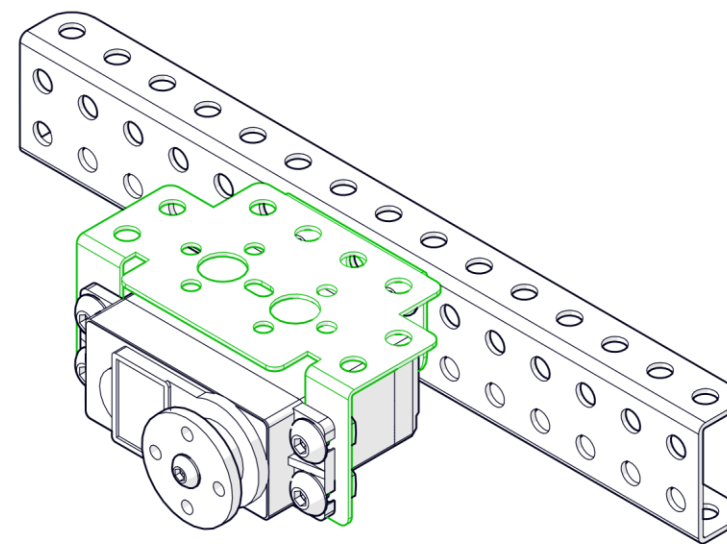
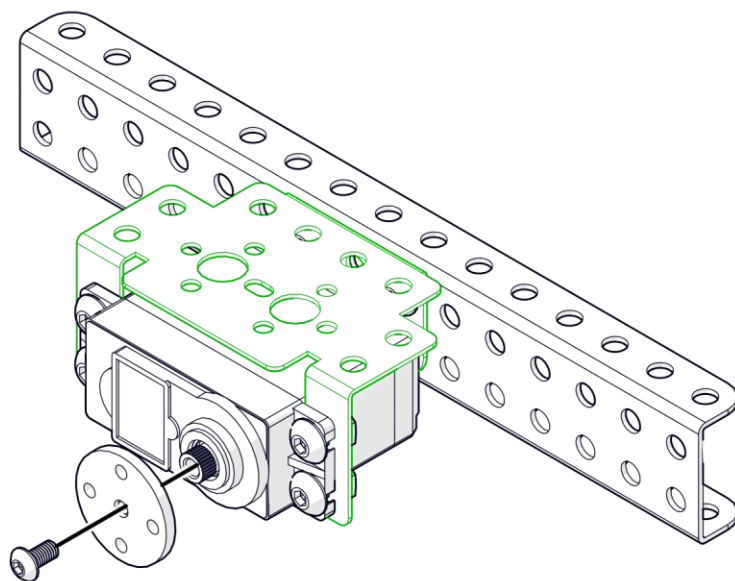


1x

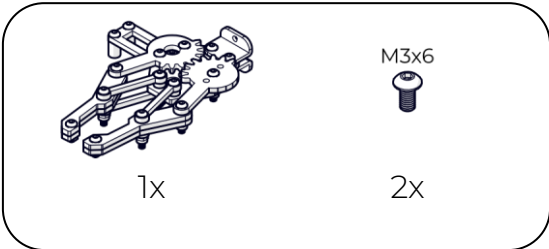
M3x6



1x



04

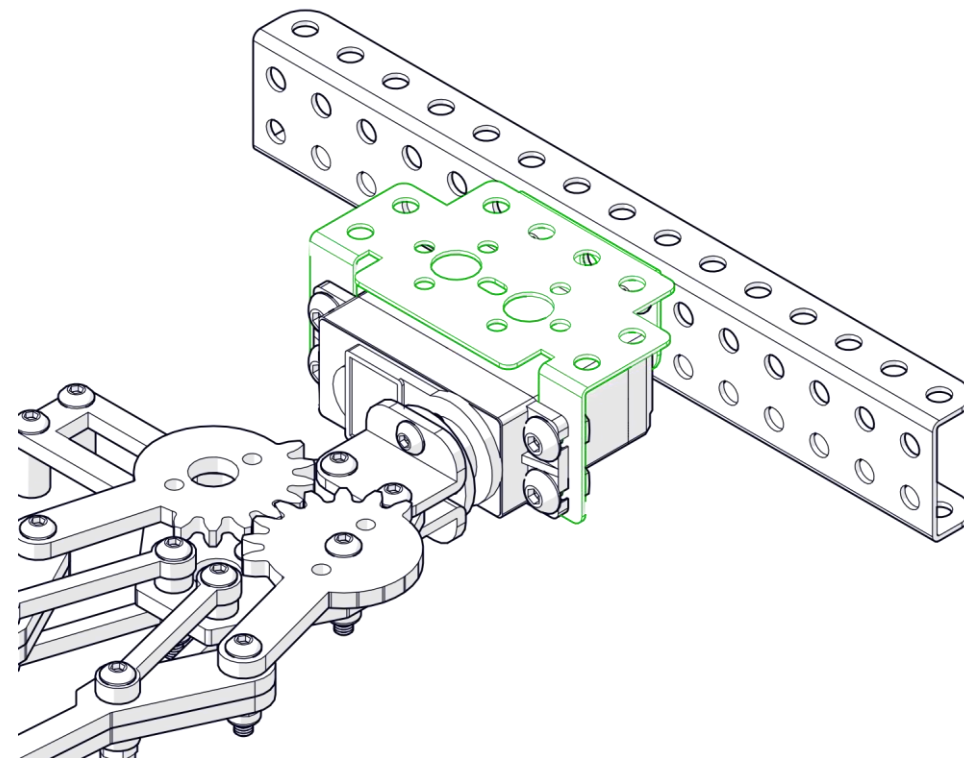
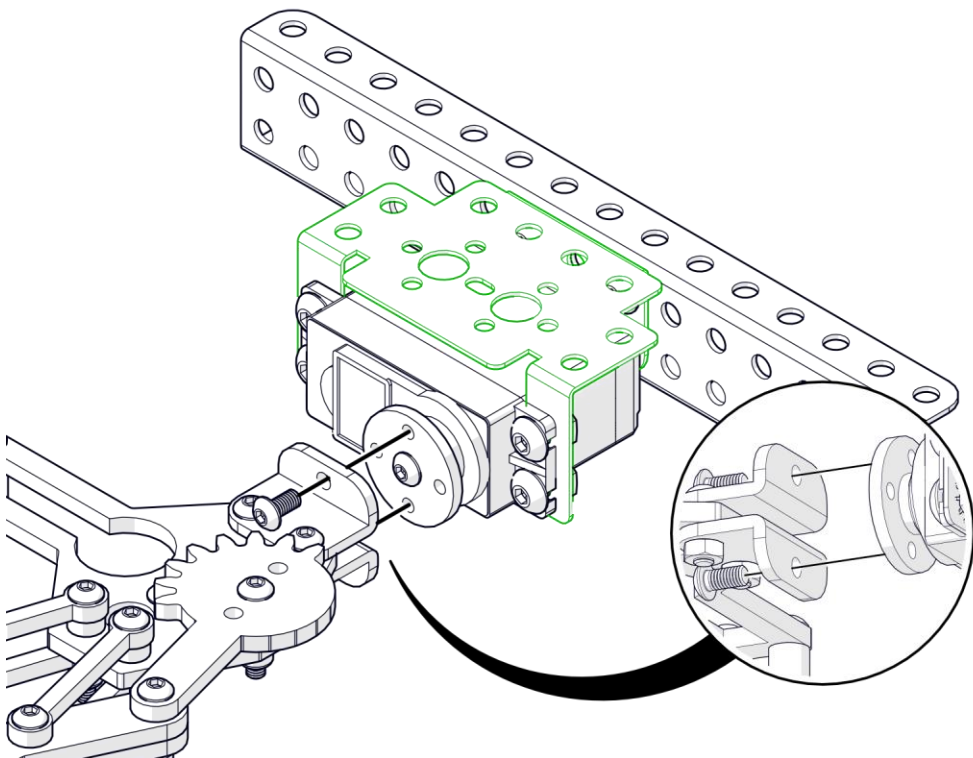


1x

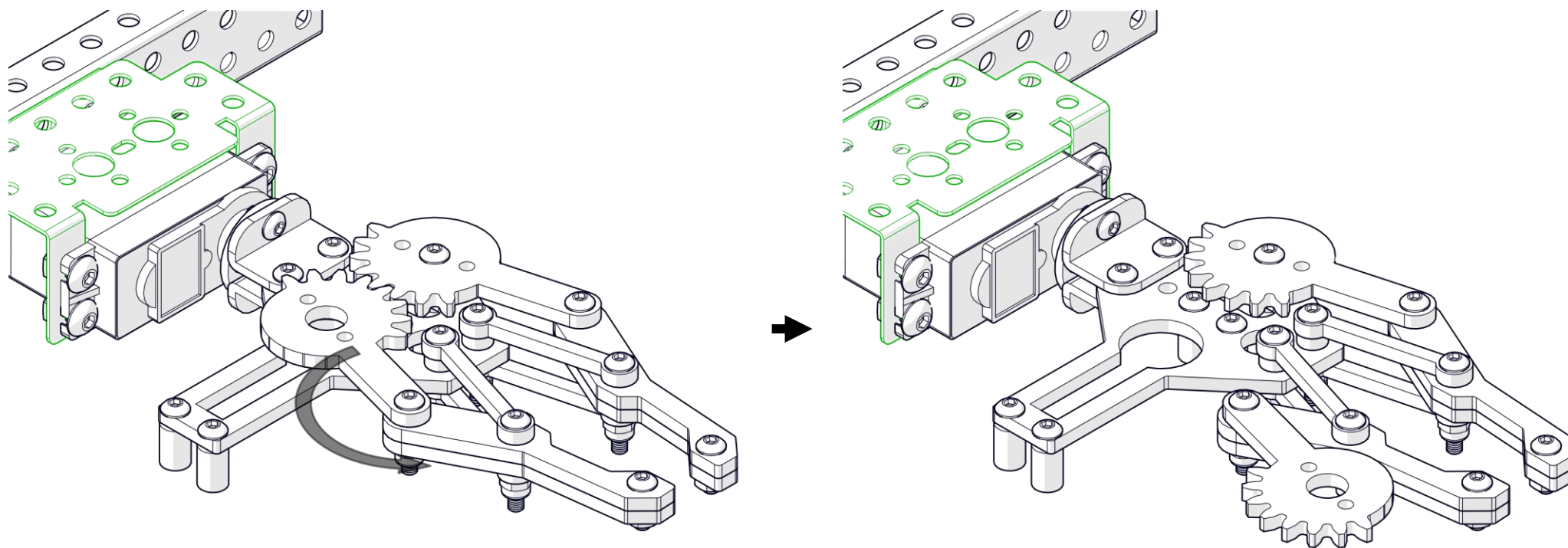
M3x6

2x

This block contains a parts list for step 04. It shows a technical drawing of a gear assembly with the quantity '1x' below it. To the right, it shows a technical drawing of an M3x6 screw with the quantity '2x' below it.



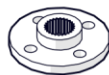
05



06



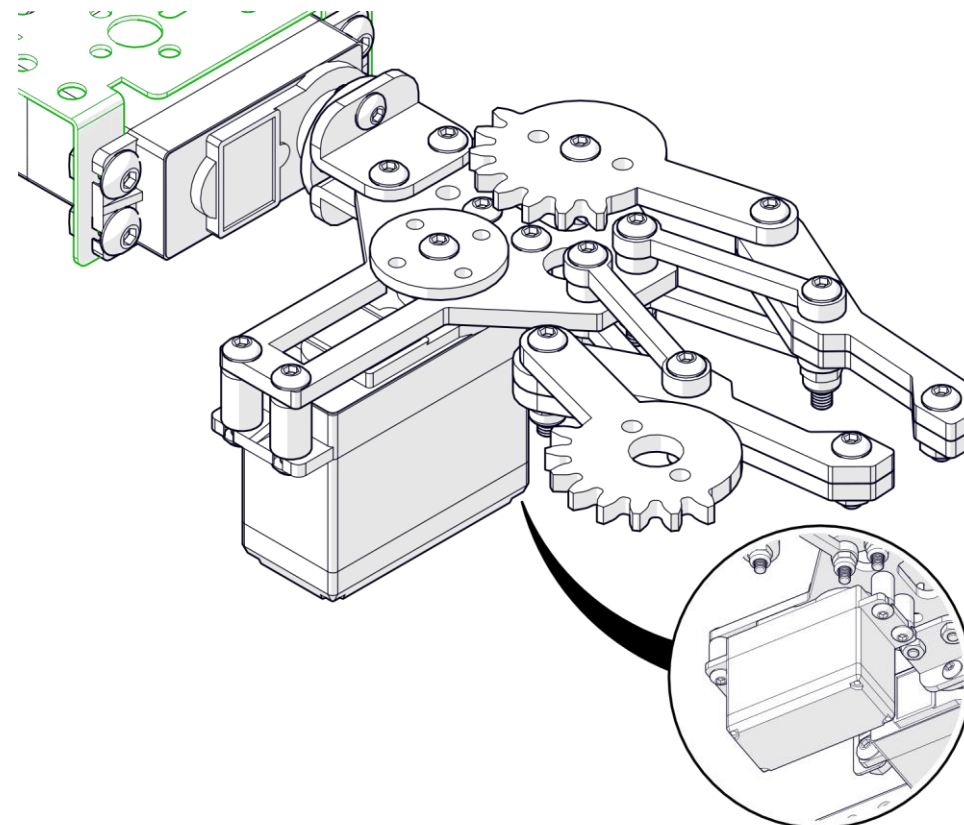
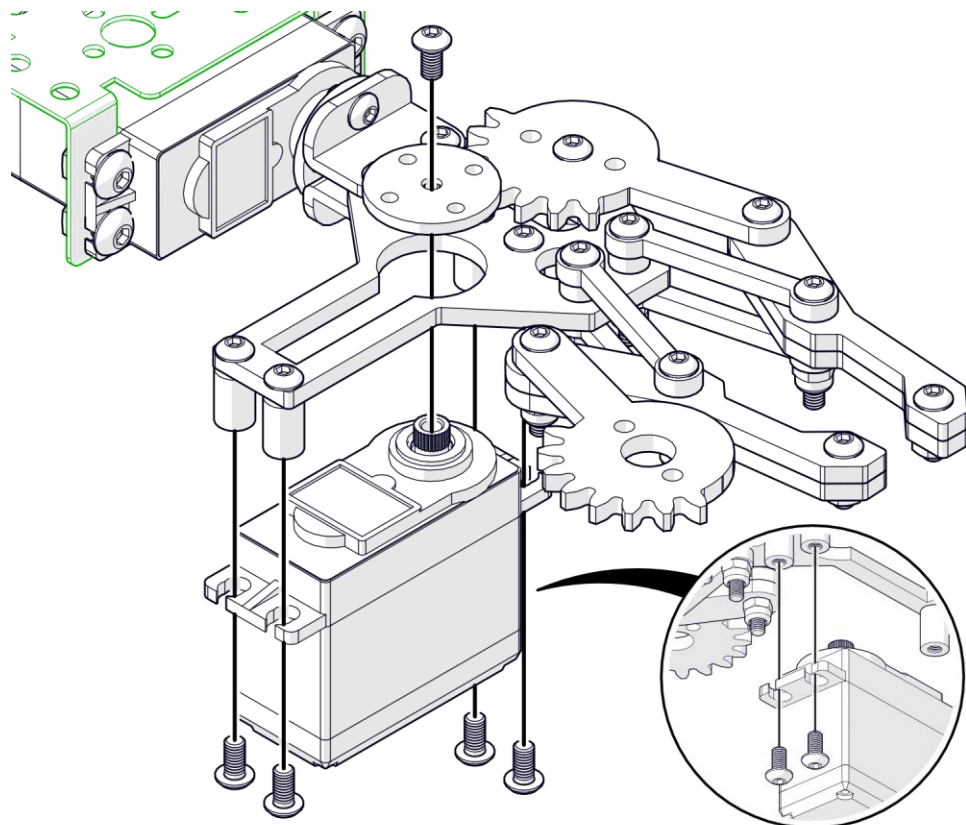
1x



1x



5x



07

M3x6



2x

